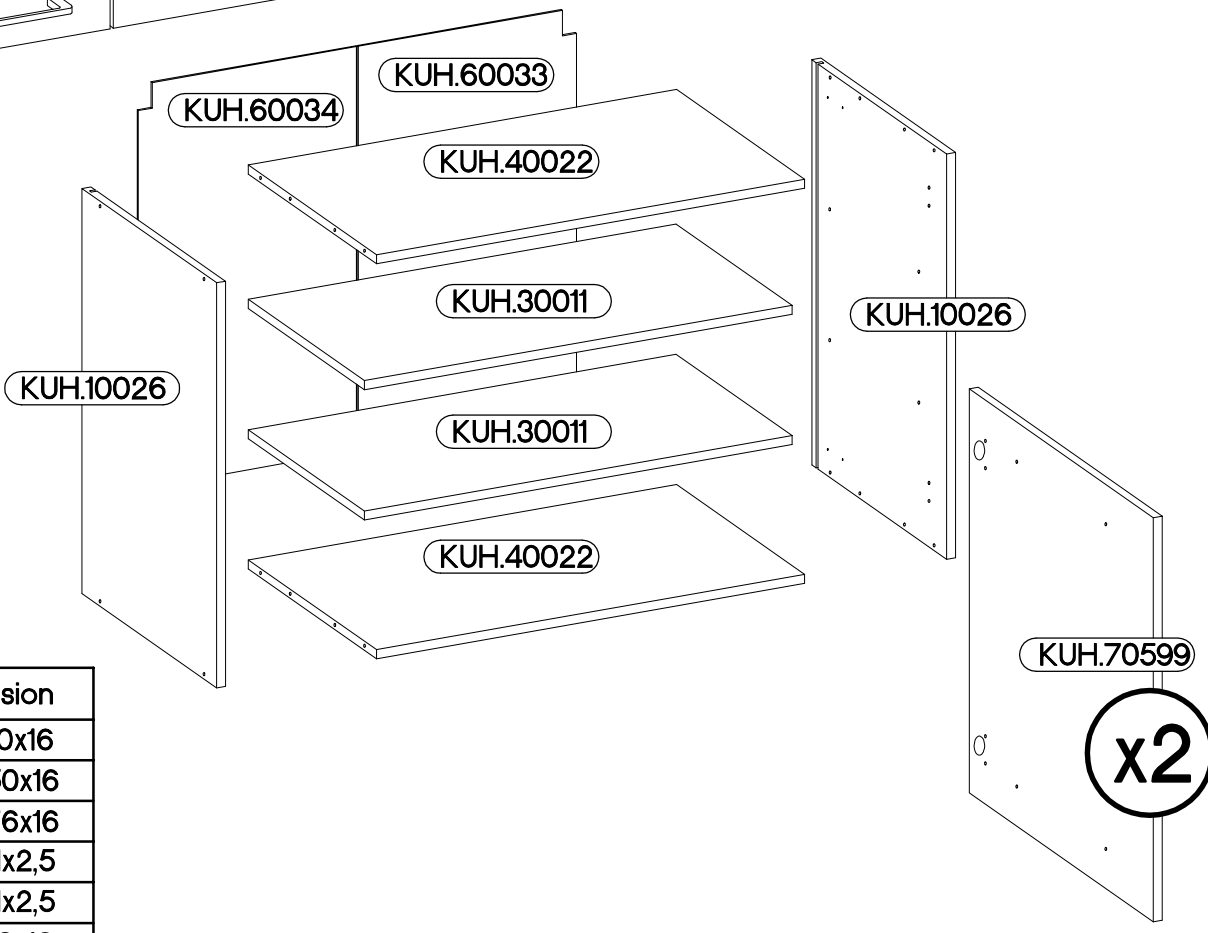
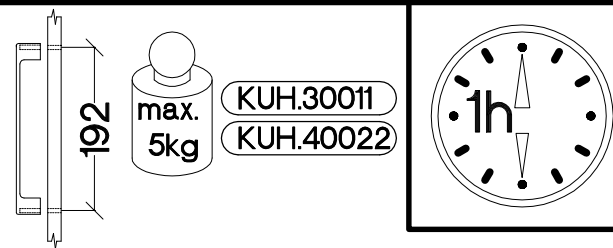
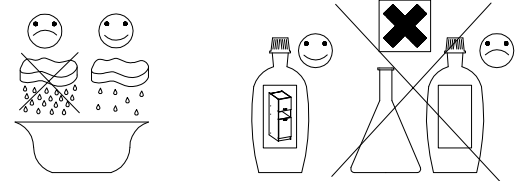
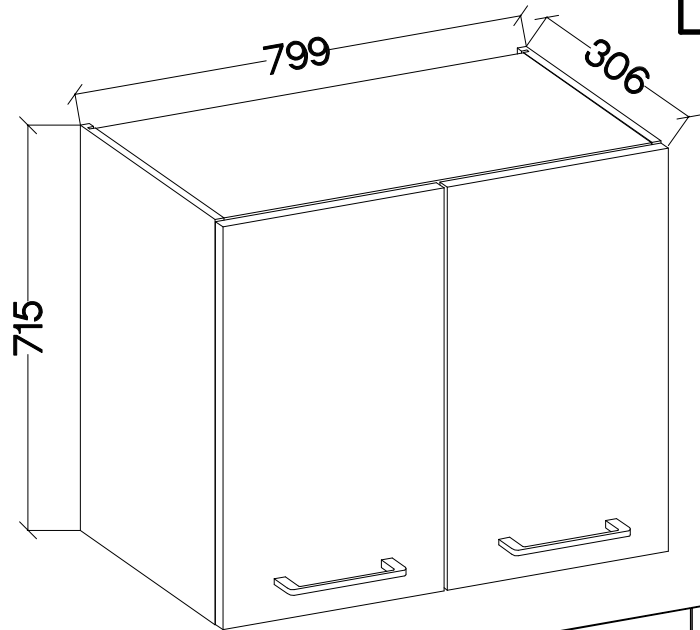
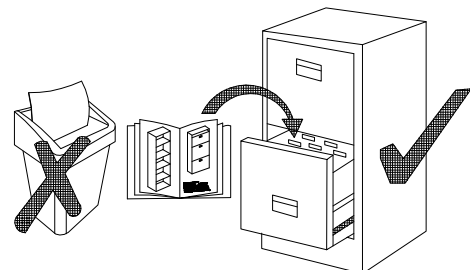


80 G-72 2F



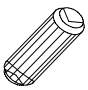
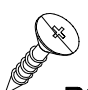
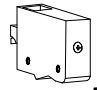
Ersatzteil Nummer	Dimension
KUH.10026 x2	715x290x16
KUH.30011 x2	766x250x16
KUH.40022 x2	767x276x16
KUH.60033	713x391x2,5
KUH.60034	713x391x2,5
KUH.70599 x2	396x713x16

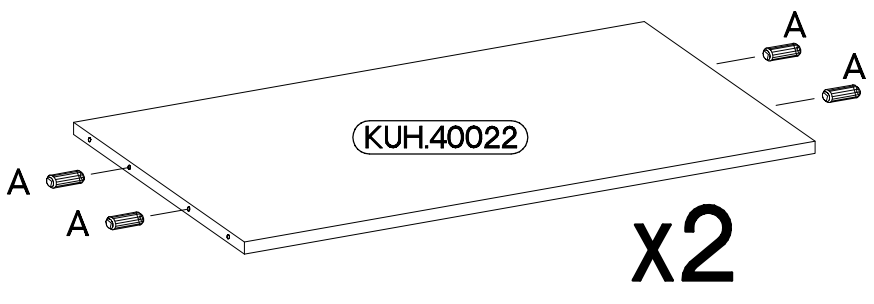
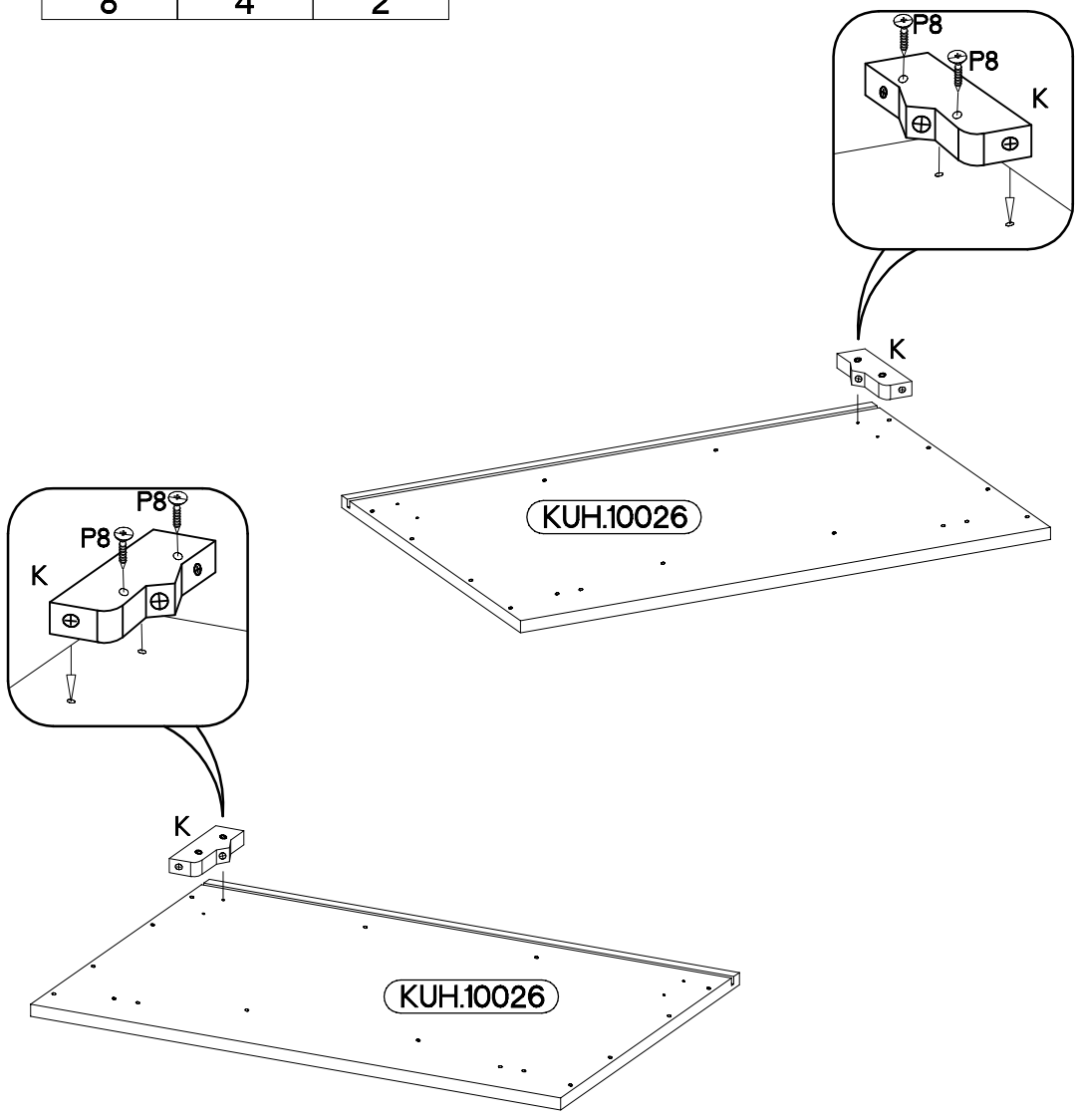
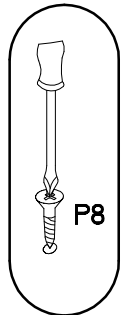
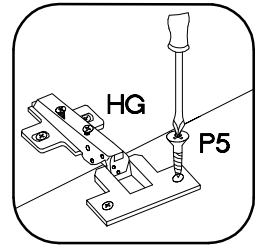
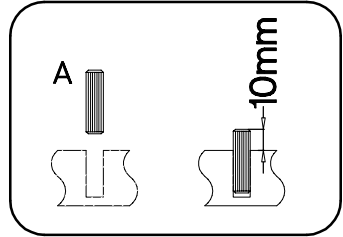
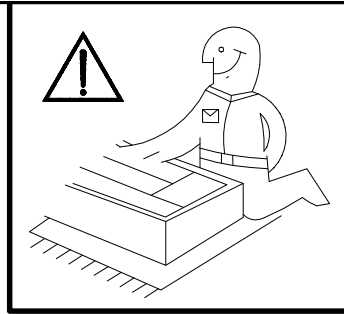
+8x30mm A	6,4 x 50mm B	E1	+35/0mm HG	+5/19mm J	K	L1=680mm L1
8	8	8	4	8	2	1
O	+3.5x13mm P5	+3.0x20mm P7	+4.0x30mm P8	L=192mm S	M4x22mm U	
1	8	10-15	4	2	4	



ISM-KUH-02154

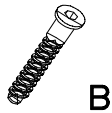
1

†8x30mm  A 8	†4.0x30mm  P8 4	 K 2
---	--	--



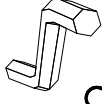
2

6,4 x 50mm



B

4



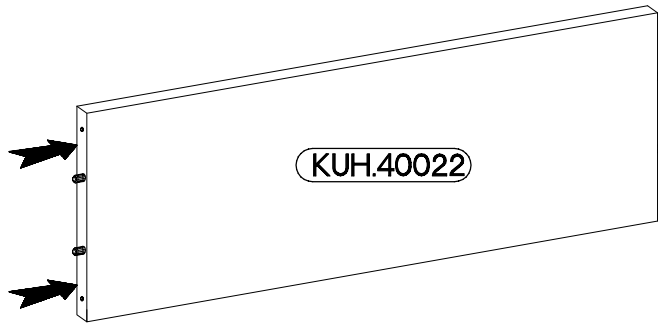
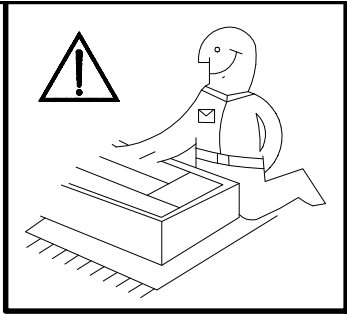
O

1

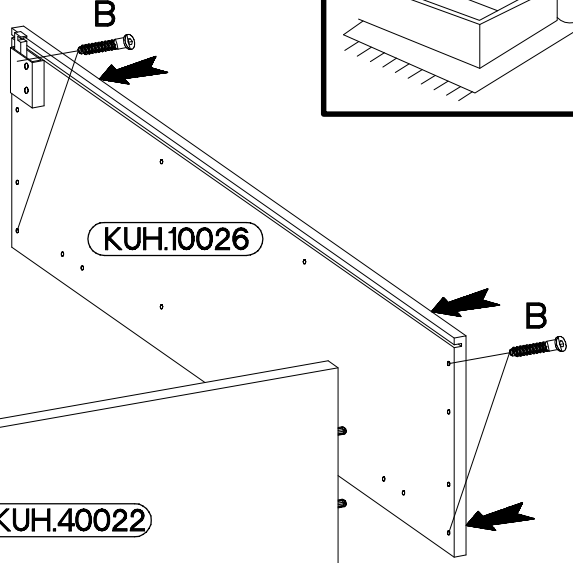


E1

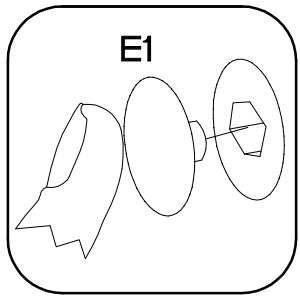
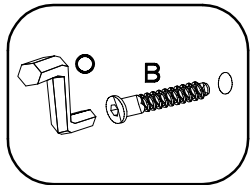
4



KUH.40022

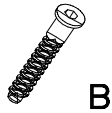


KUH.10026



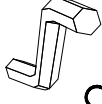
3

6,4 x 50mm



B

4



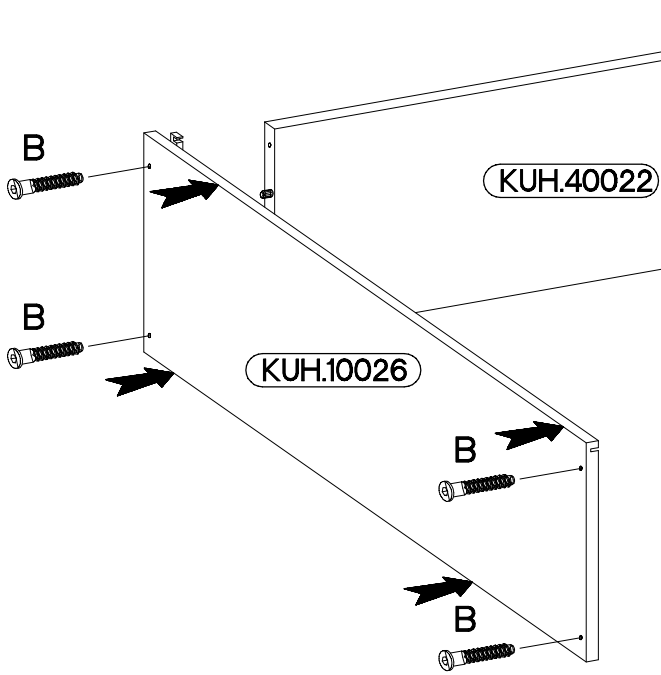
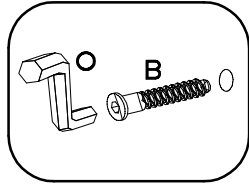
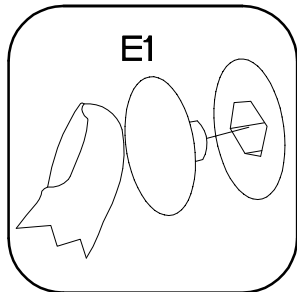
O

1



E1

4



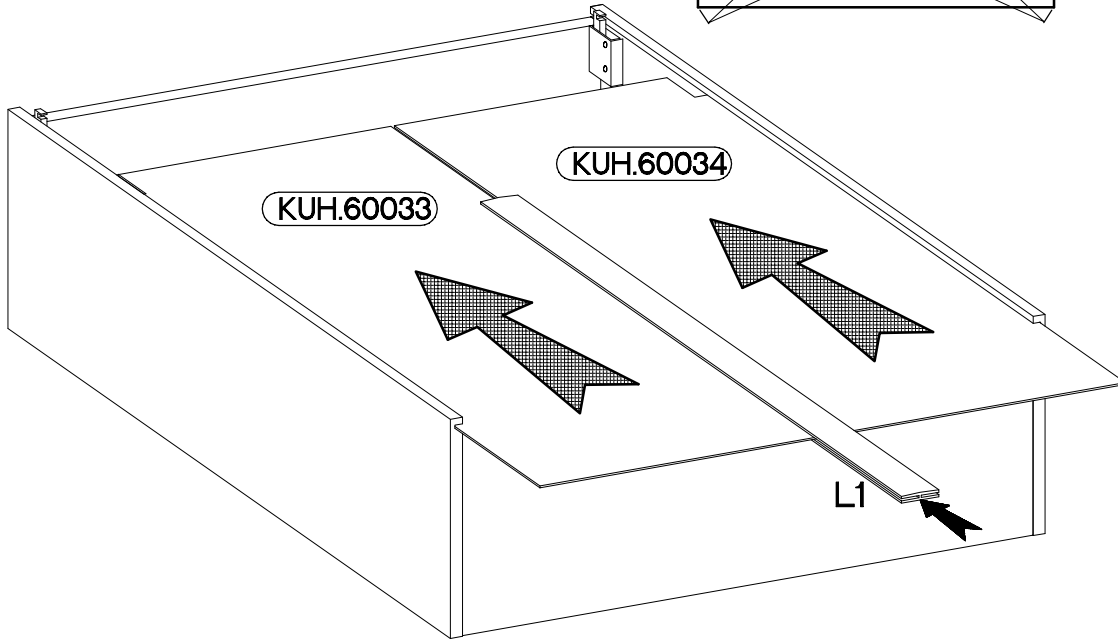
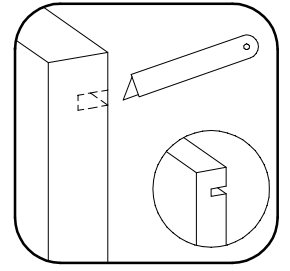
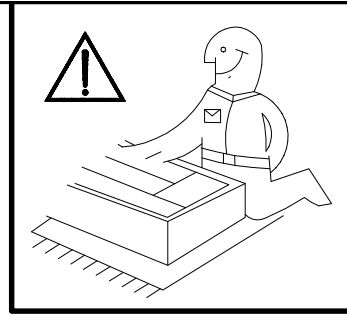
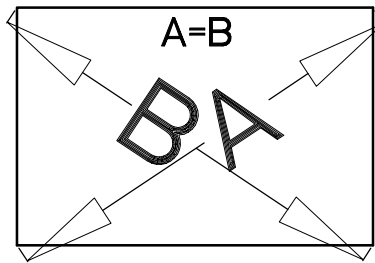
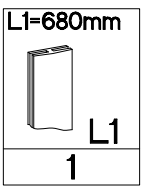
KUH.40022

KUH.10026

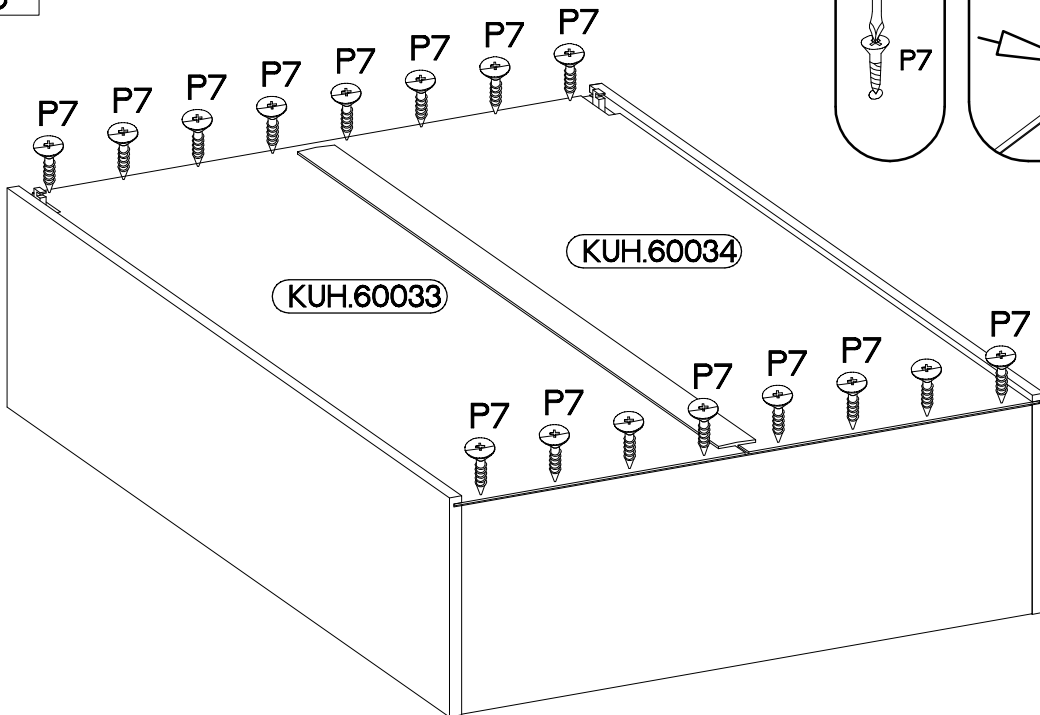
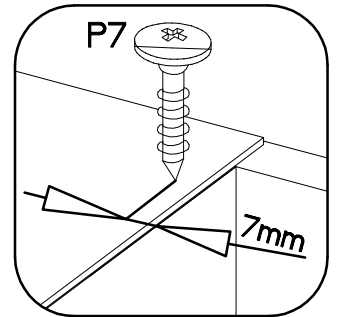
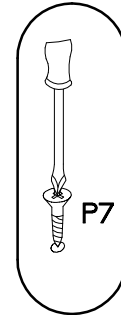
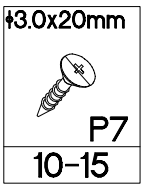
KUH.10026

KUH.40022

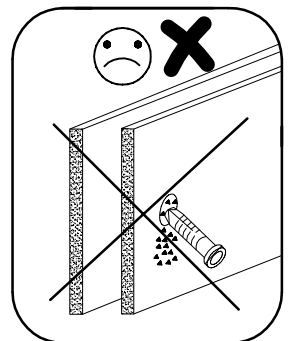
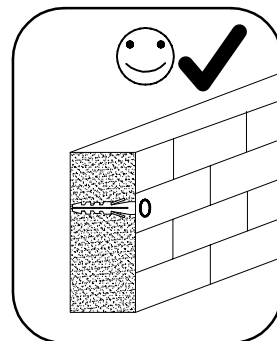
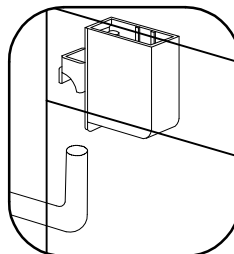
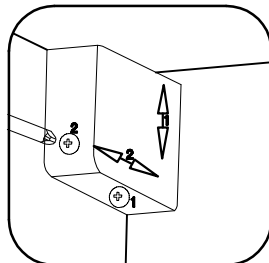
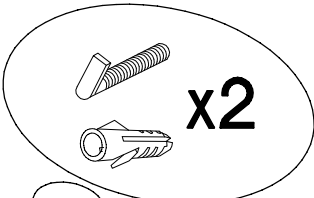
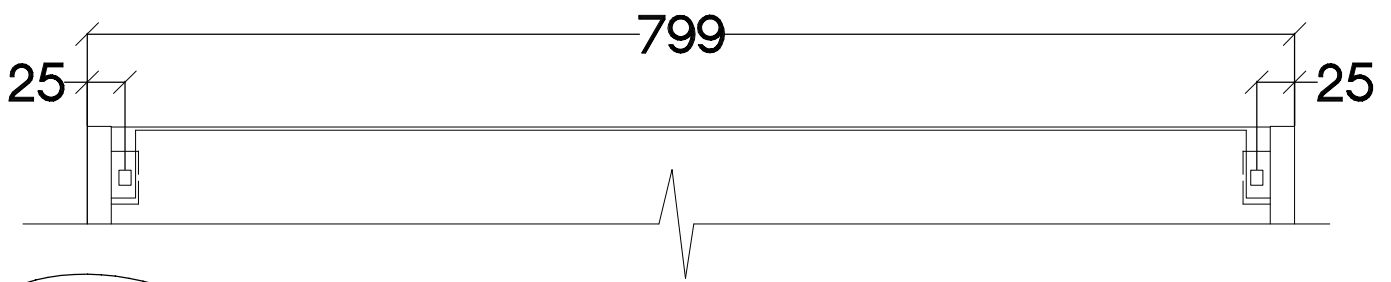
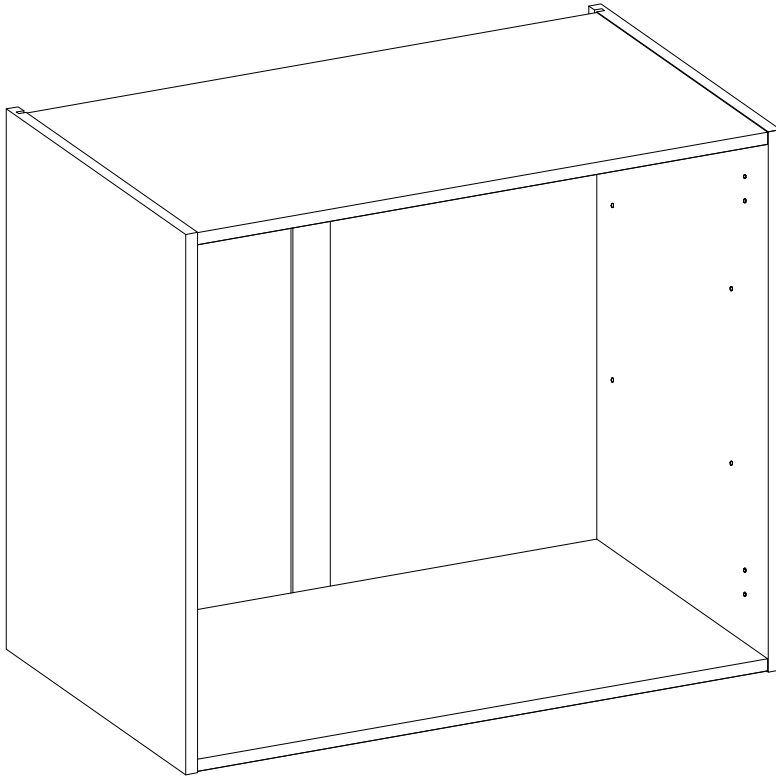
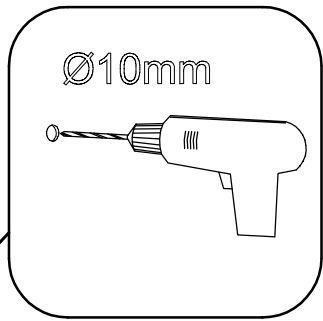
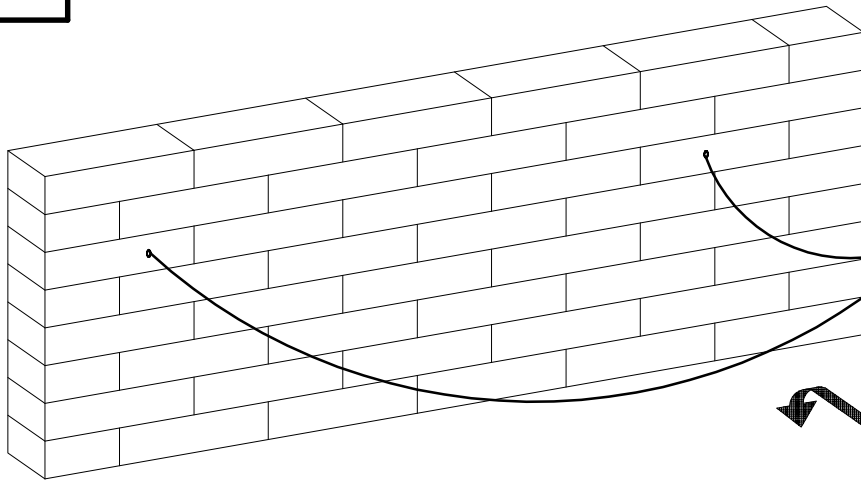
4



5




6



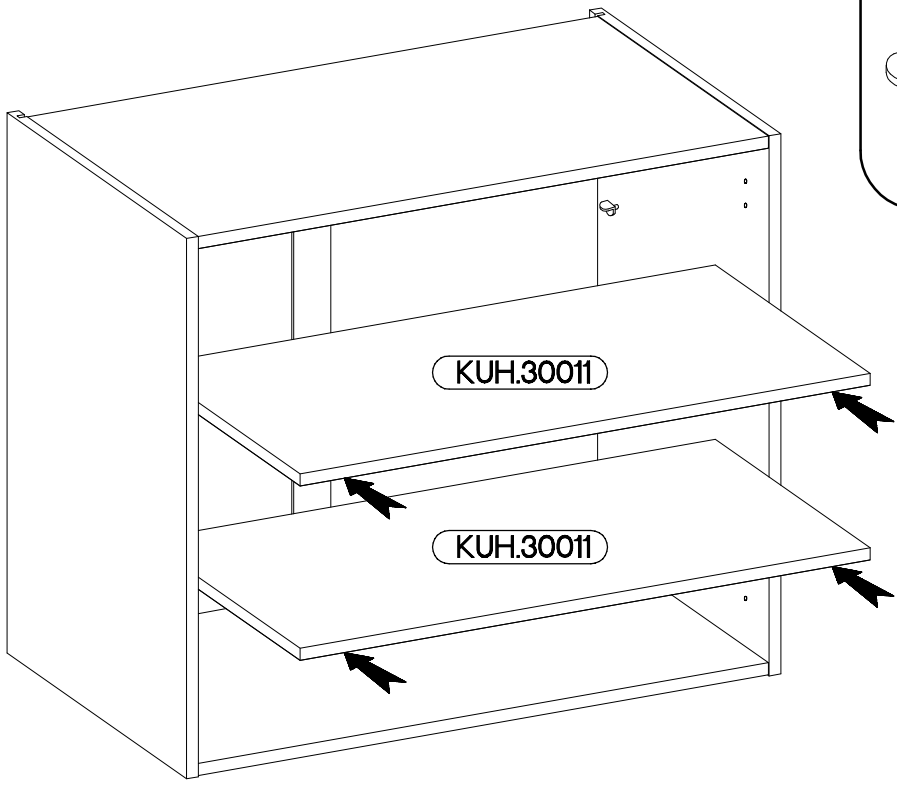
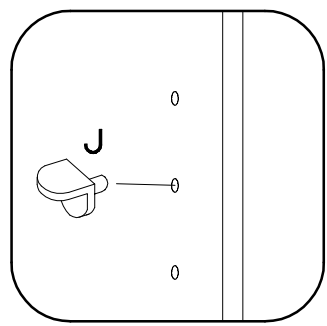
7

+5/19mm

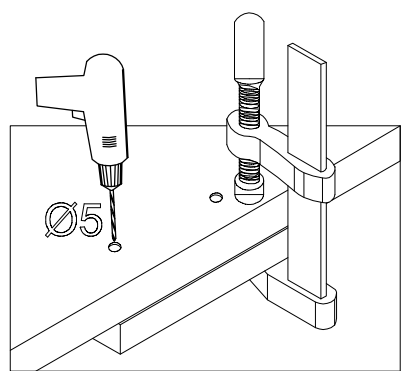
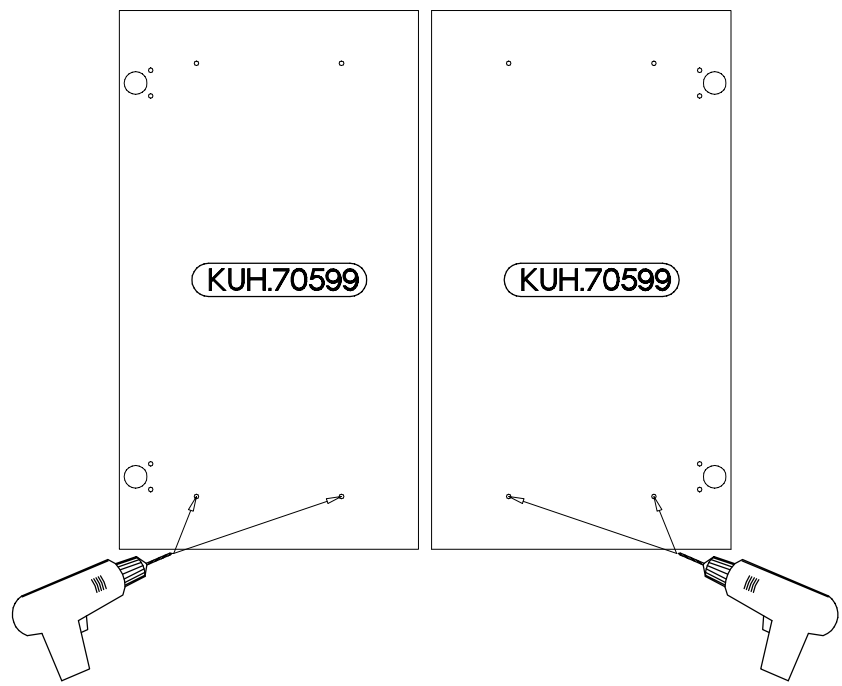
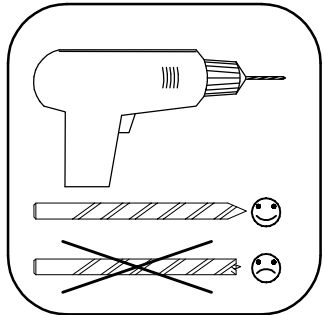


J

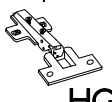

8

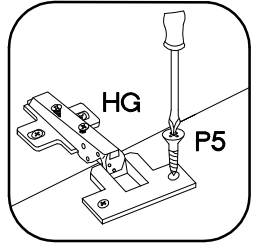
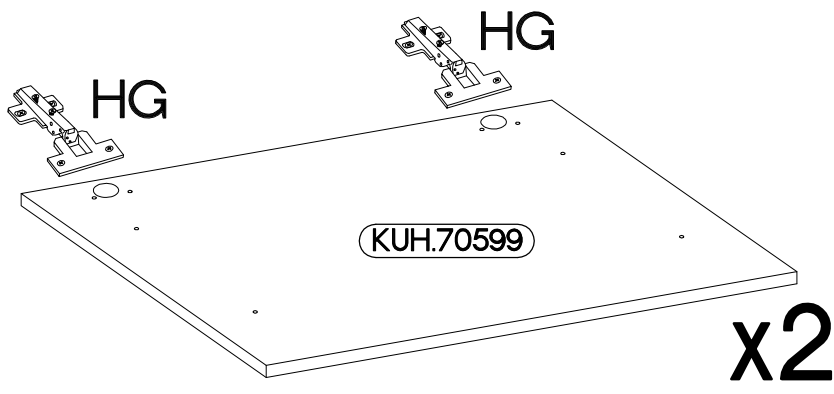


8

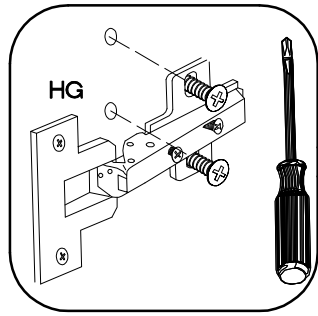


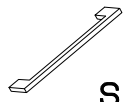

9

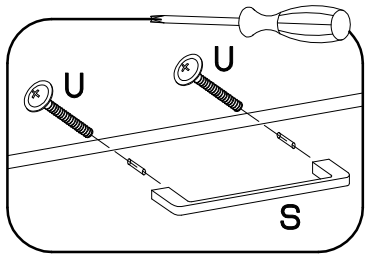
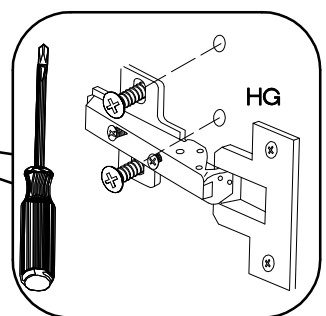
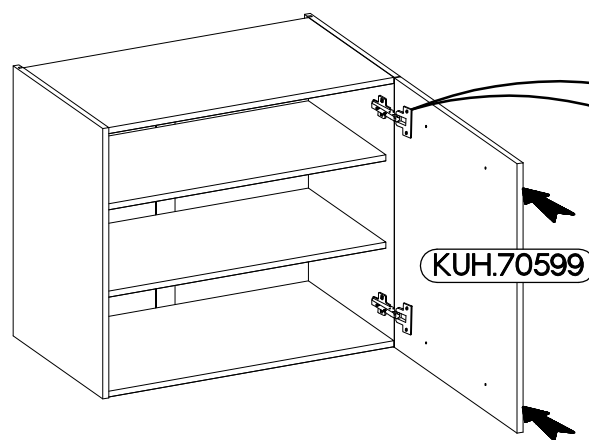
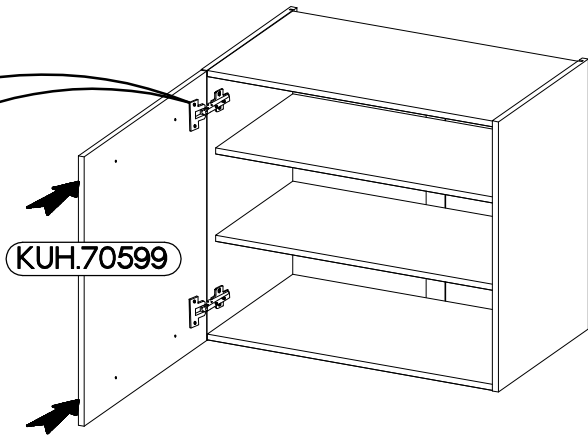
±35/0mm	±3.5x13mm
	
HG	P5
2	4



10



L=192mm	M4x22mm
	
S	U
2	4



VARIANT HIGH GLOSS

